

**Bandsaw SN-900**  
**Brand – VEBA , Made in Italy**  
**(Brand New)**

**Technical Specifications -**

- **Diameter of Fly-wheels :900mm**
- **Fly Wheels Speed : 540rpm**
- **Max Blade Length: 6280mm**
- **Motor Power : 7.5kw**
- **Cutting Depth: 500mm**
- **Cutting Width : 880mm**
- **Max Blade Width : 60mm**
- **Dimensions of the table : 810x1200mm**
- **Net weight : 760kg**



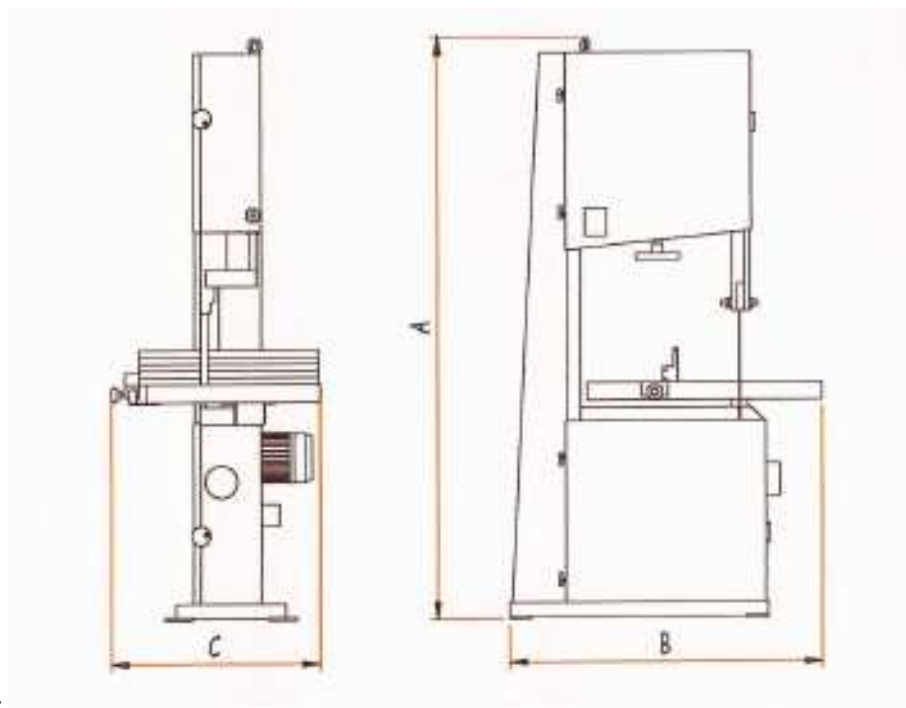


# AL GOURI MACHINERY TRADING L.L.C.



SN 900 | 2760 mm | 1650 mm | 940 mm | n° 2 - Ø 120 mm

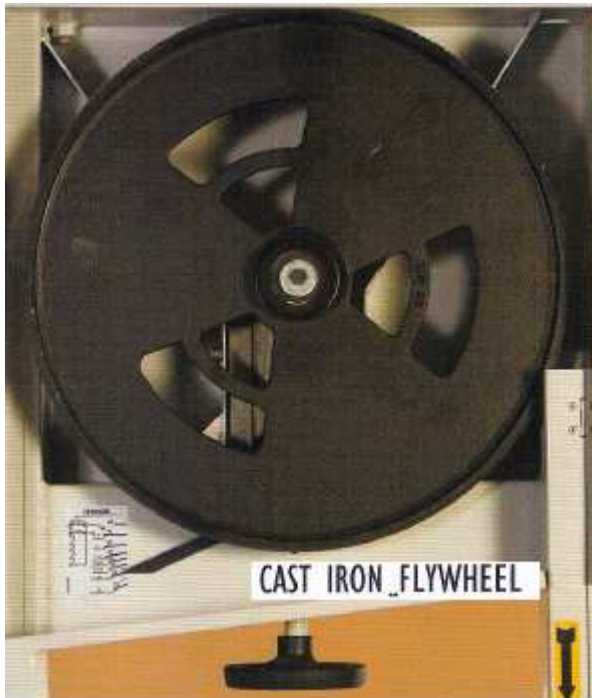
A B C



C  
**SHAVING HOOD**



# AL GOURI MACHINERY TRADING L.L.C.



CAST IRON\_FLYWHEEL

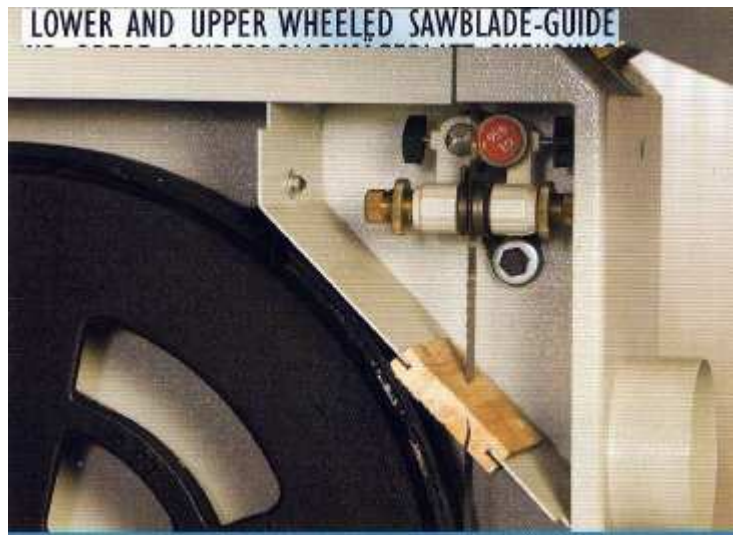


DUST OUTLET



CAST IRON TABLE

TILTING TABLE



LOWER AND UPPER WHEELED SAWBLADE-GUIDE

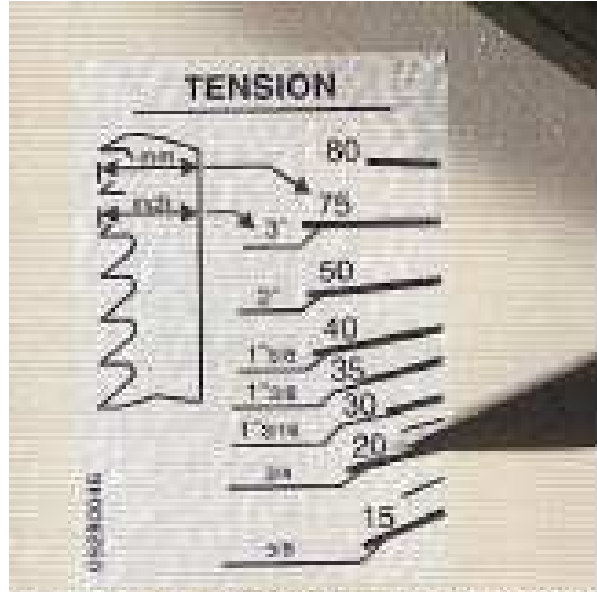




# AL GOURI MACHINERY TRADING L.L.C.



INTEGRAL BLADE PROTECTION



BLADE TENSION INDICATOR